

PRODUCT INFORMATION

AIRBAG CLIP

Enhanced passenger safety



ARaymond ™
MORE THAN FASTENING

ARAYMOND, CLOSE TO YOU EVERYWHERE



1 center of expertise

11 engineering centers

26 manufacturing sites in
25 countries

6,800 employees

More than 150 years of experience

OVERVIEW

Application	p.4
Environment	p.5
Easy assembly	p.6
Increased passenger safety	p.7
Simple dismounting	p.8
Technical specifications	p.9
Key advantages	p.10
Your contacts worldwide	p.11

APPLICATION

SIDE CURTAIN AIRBAG
FASTENING AND
RETENTION FOR **SAFETY**
OF ALL PASSENGERS



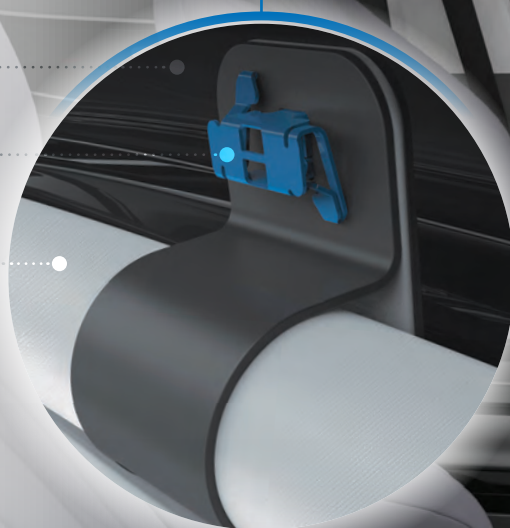
ENVIRONMENT

The airbag clip is premounted into the fabric layers of the airbag module at the Tier 1. Then the airbag module is assembled onto the car body.

Car body.....

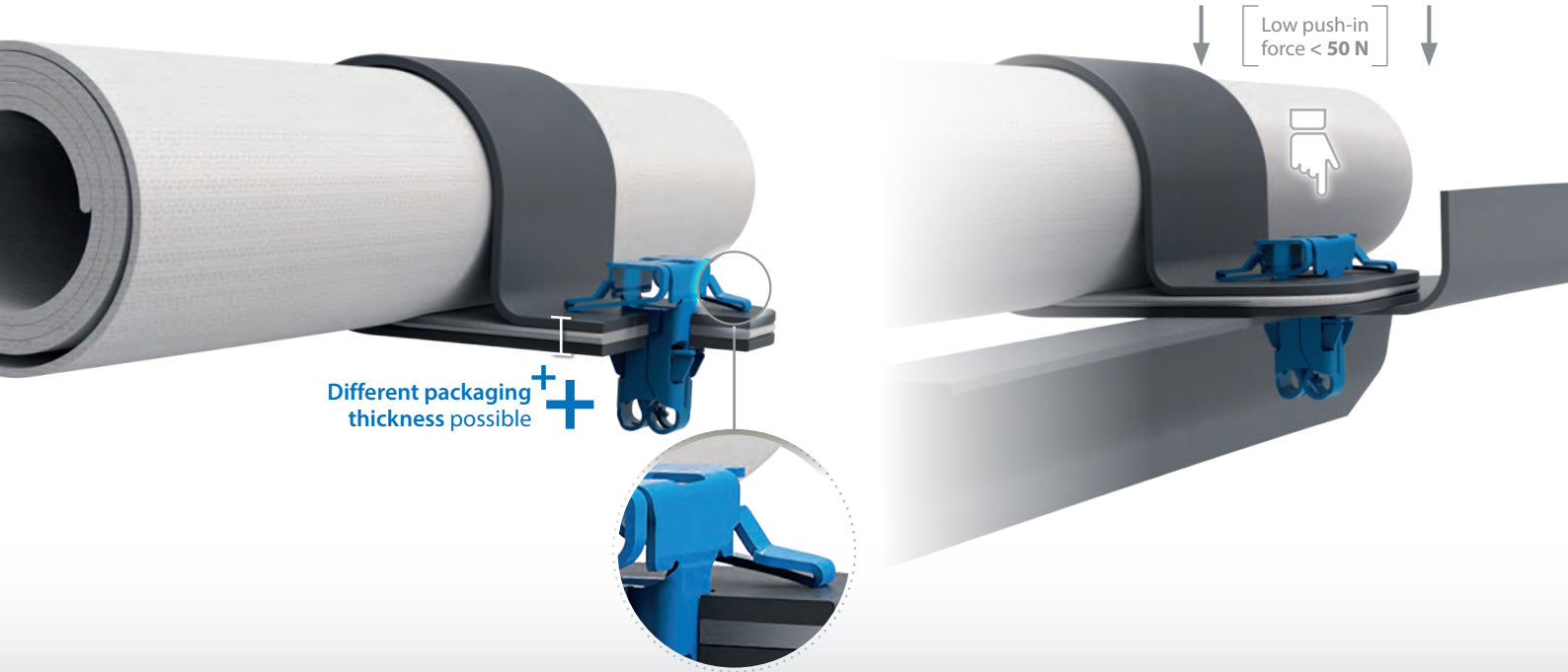
Airbag clip.....

Airbag module.....



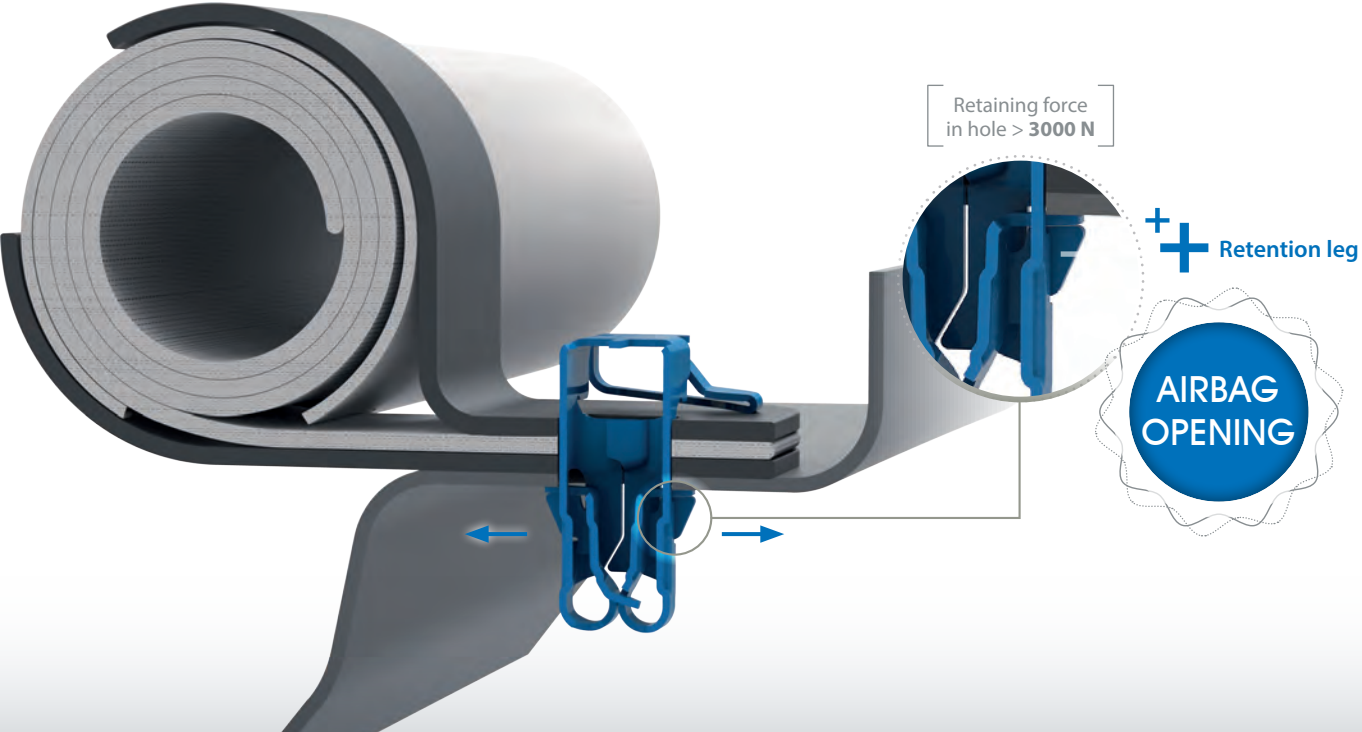
EASY ASSEMBLY

- Easy pre-assembly into the airbag module with flexible and adaptive legs
- Simple manual assembly into the car body



INCREASED PASSENGER SAFETY

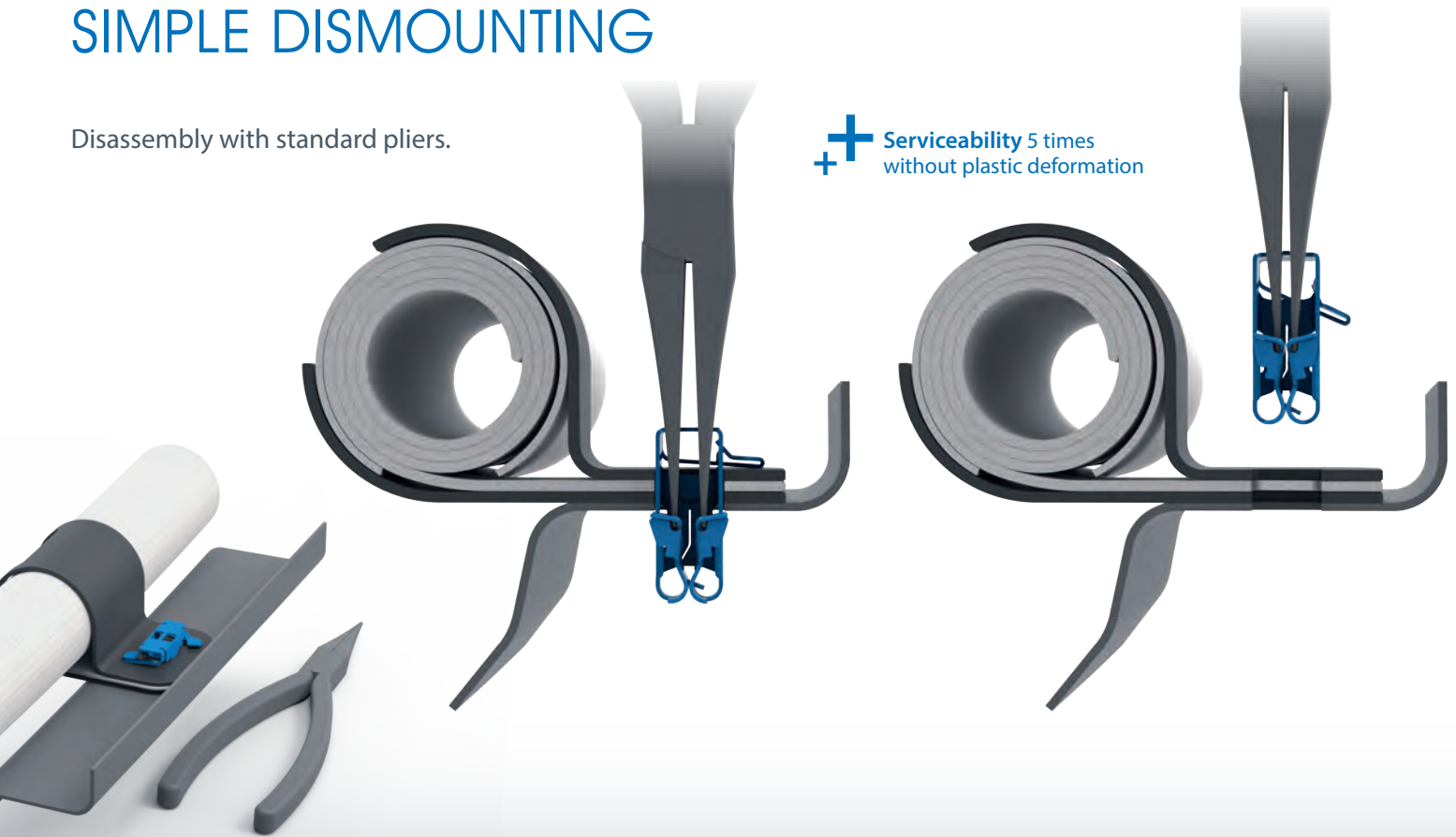
Retention legs ensure passenger safety in case of crash.



SIMPLE DISMOUNTING

Disassembly with standard pliers.

+ **Serviceability** 5 times
without plastic deformation

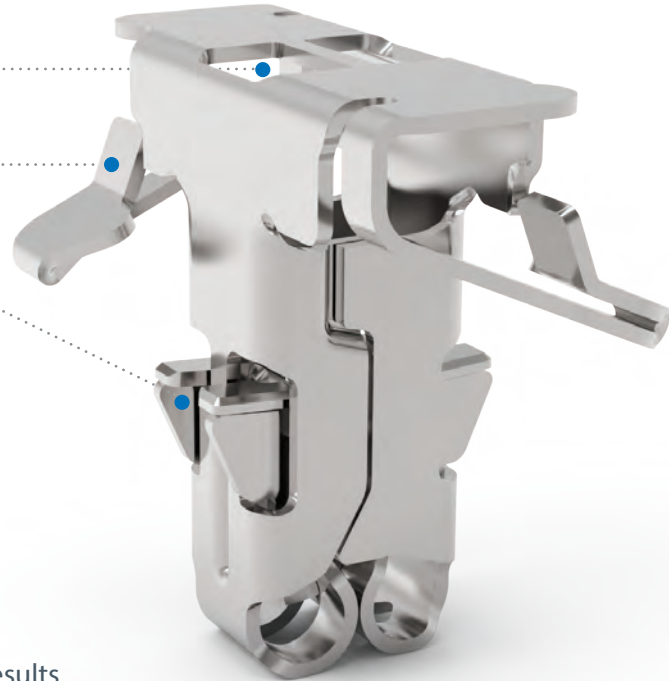


TECHNICAL SPECIFICATIONS

Disassembly access

Flexible legs: 2,5 mm tolerance compensation

Retaining legs



- Push-in force < 50 N
- Retaining force > 3000 N
- Hole size: 7,4 x 9,4 mm, R1,5
- Car body panel thickness: 0,60 to 2,5 mm
- Packaging thickness*: 3,2 to 5,7 mm
- Clip size: 23,5 x 9,1 x 22,6 mm
- 100% vision inspection with archived dimensional results to ensure traceability
- Surface treatment: anti-corrosion coating according to OEM specifications

**Other packaging thicknesses on request.*

KEY ADVANTAGES

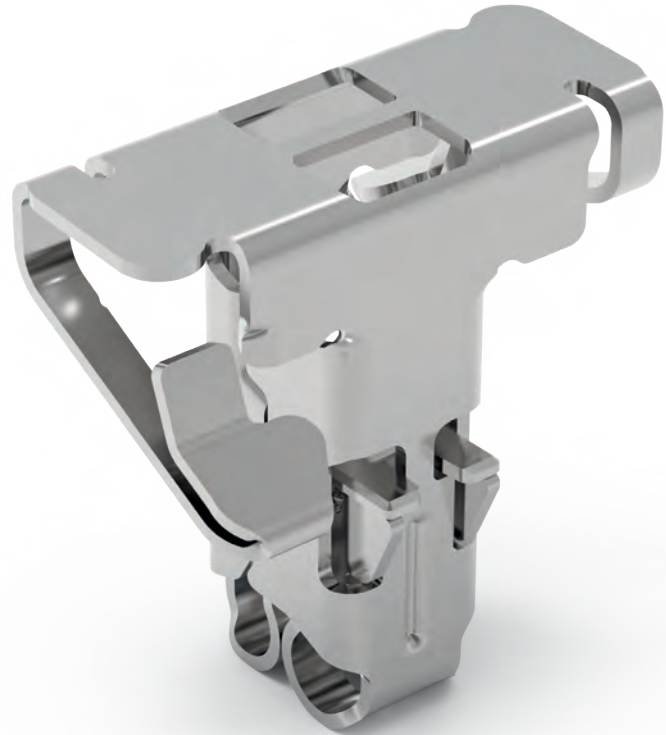
+

LOW PUSH-IN FORCE

HIGH RETENTION PERFORMANCE

DIFFERENT THICKNESSES POSSIBLE

SERVICEABILITY



YOUR CONTACTS WORLDWIDE

EMEA

CZECH REPUBLIC

HUNGARY, POLAND, ROMANIA, SLOVAKIA

+420 483 358 111

contact.cz@araymond-automotive.com

FRANCE

+33 4 76 33 49 49

contact.fr@araymond-automotive.com

GERMANY

+49 7621 174-0

contact.de@araymond-automotive.com

ITALY

+39 0161 937311

contact.it@araymond-automotive.com

MOROCCO

+212 529048613

contact.ma@araymond.com

RUSSIA

+7 8313 398111

contact.ru@araymond-automotive.com

SPAIN

+34 93 877 1314

contact.es@araymond-automotive.com

TURKEY

+90 262 658 1058

contact.tr@araymond-automotive.com

UNITED KINGDOM

+44 1732 871934

contact.uk@araymond-automotive.com

AMERICAS

BRAZIL

+55 19 3836-6900 / 6928 / 6924

contact.br@araymond-automotive.com

MEXICO

+1 248 853 2500

contact.us@araymond-automotive.com

USA & CANADA

+1 248 853 2500

contact.us@araymond-automotive.com

ASIA

CHINA

+86 0511-85309100

contact.cn@araymond-automotive.com

INDIA

+91 2135 676 200

contact.in@araymond-automotive.com

JAPAN

+81 463 40 8600

contact.jp@araymond-automotive.com

SINGAPORE

+ 65 6421 8424

contact.sg@araymond-automotive.com

SOUTH KOREA

+82 70 5055 5000

contact.kr@araymond-automotive.com

www.araymond-automotive.com

2018/02 © *RAYGROUP SASU, (Registered N°: Grenoble 487 947 483) – 113 Cours Berriat - 38000 Grenoble - France has designed this booklet.

**"ARaymond Network" means a network of companies which have a license of use of ARAYMOND™. This booklet is provided for information purposes only and does not constitute an offer or an agreement. RAYGROUP SASU makes no warranty or representation whatsoever, express or implied, including but not limited to the accuracy, reliability, novelty, completeness, fit for a particular purpose or merchantability of the information contained in it. If you need further information, please contact RAYGROUP SASU.

ARaymond ™
MORE THAN FASTENING